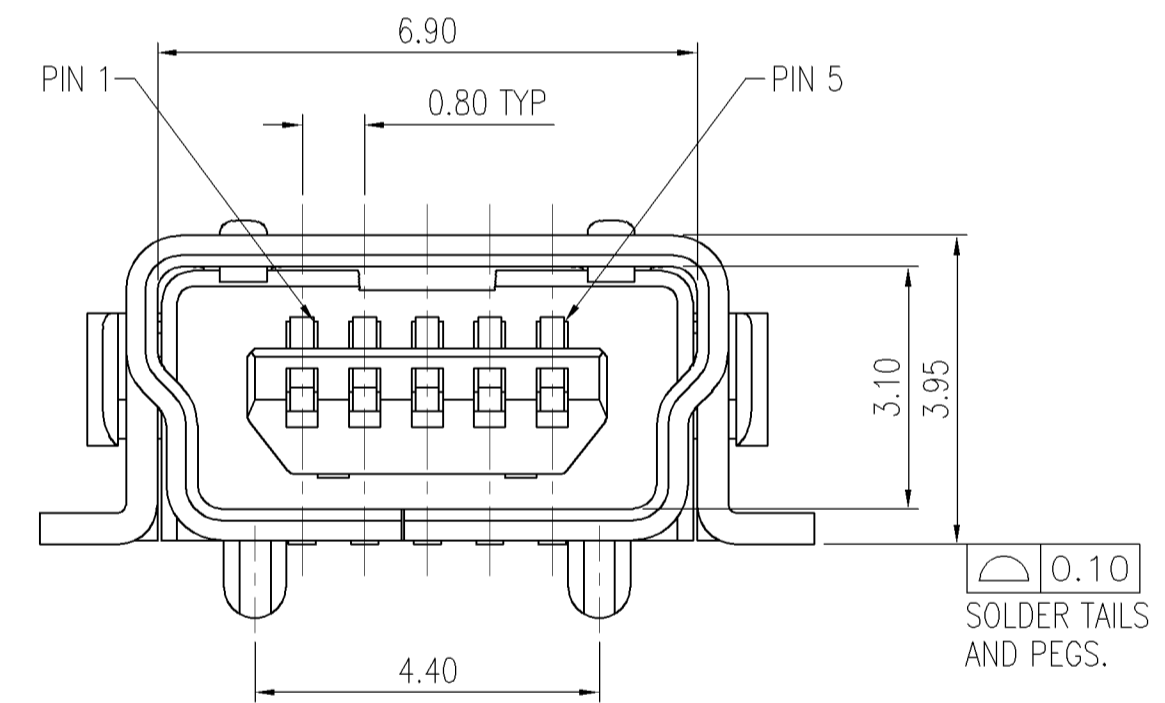
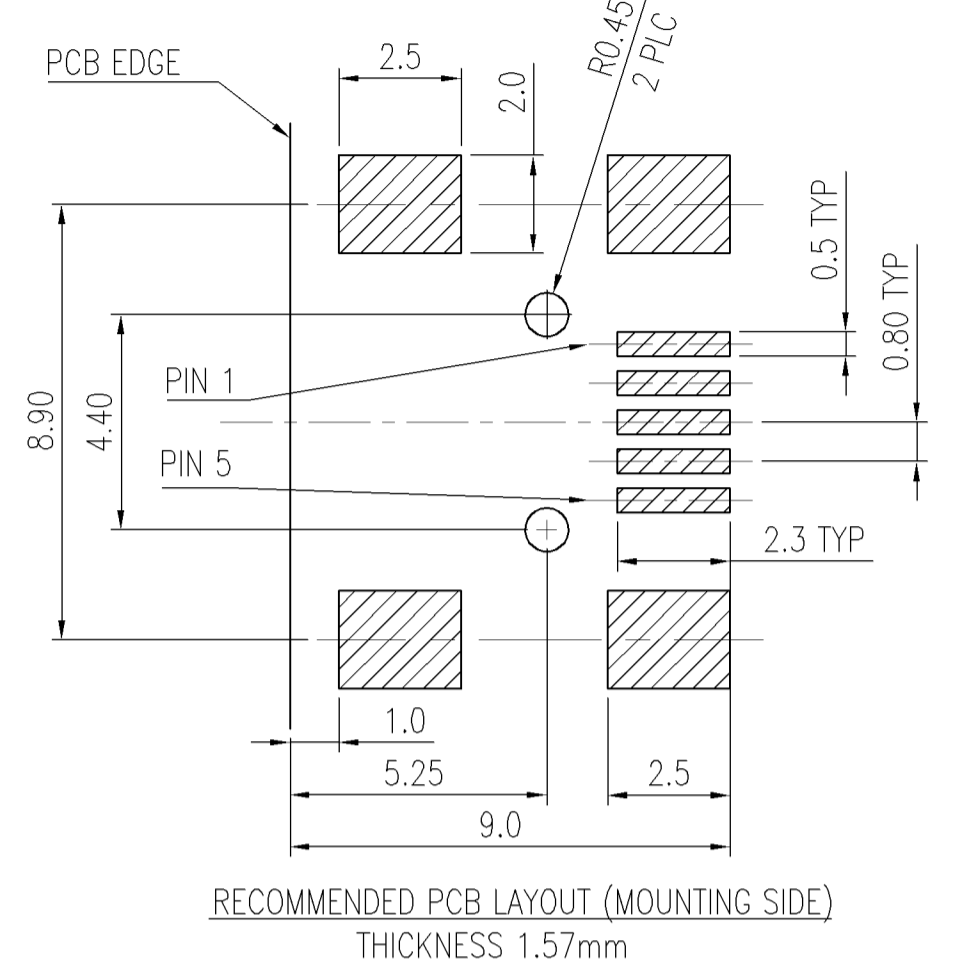
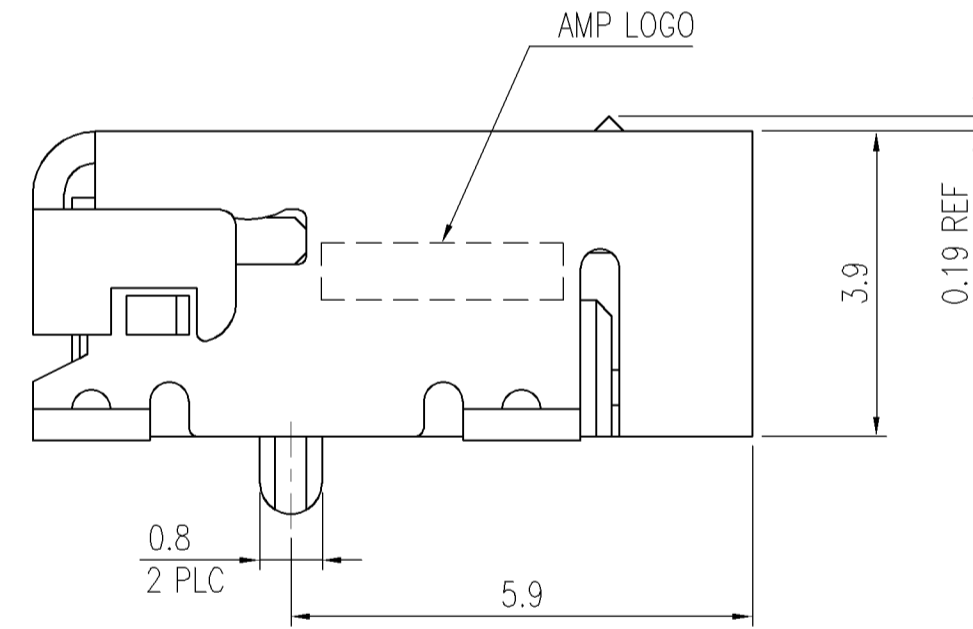
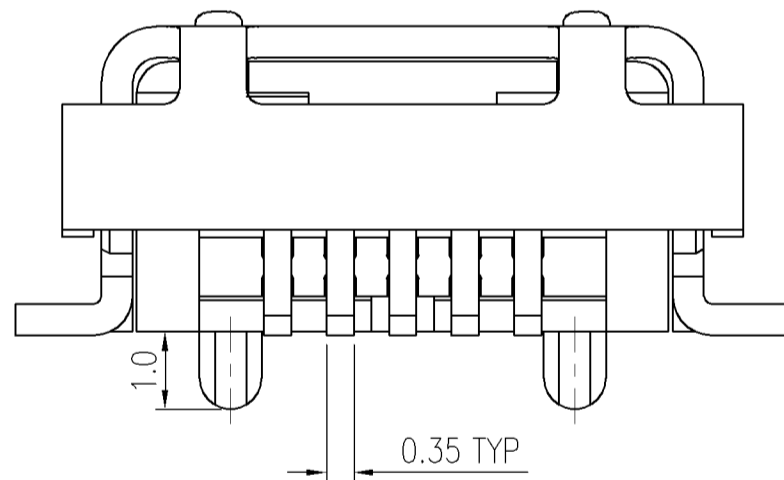
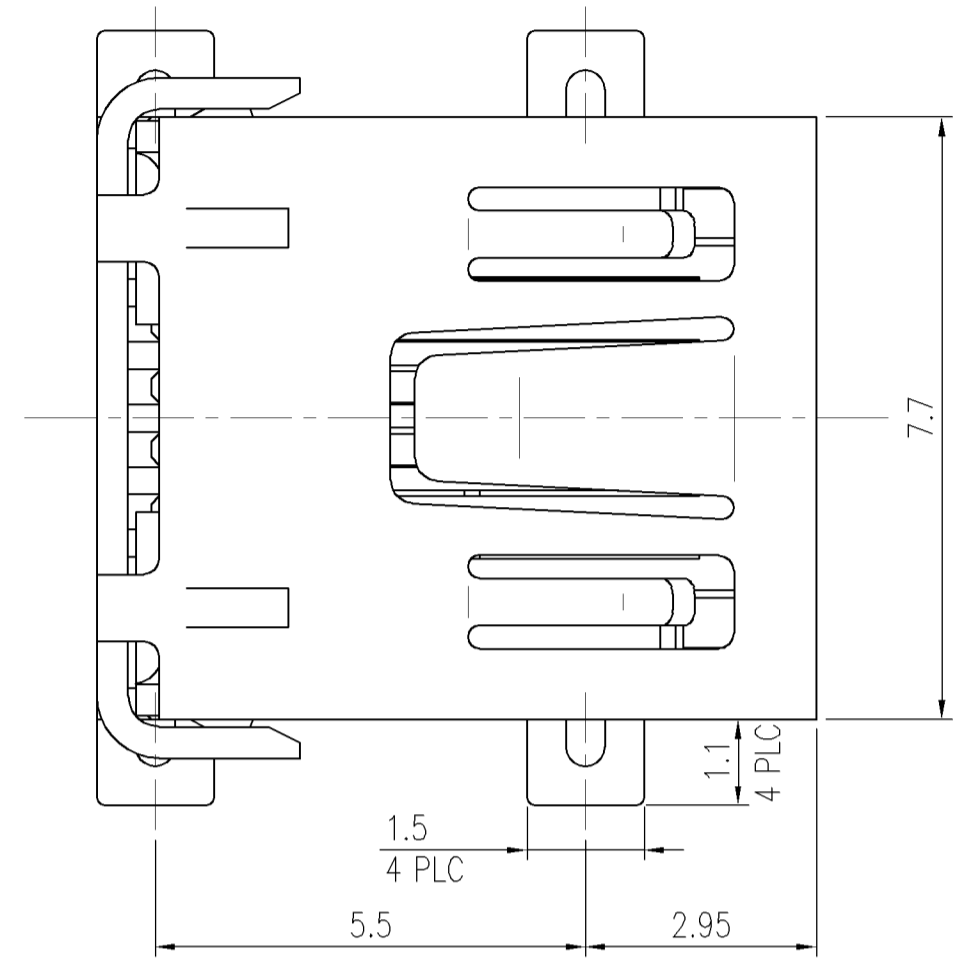
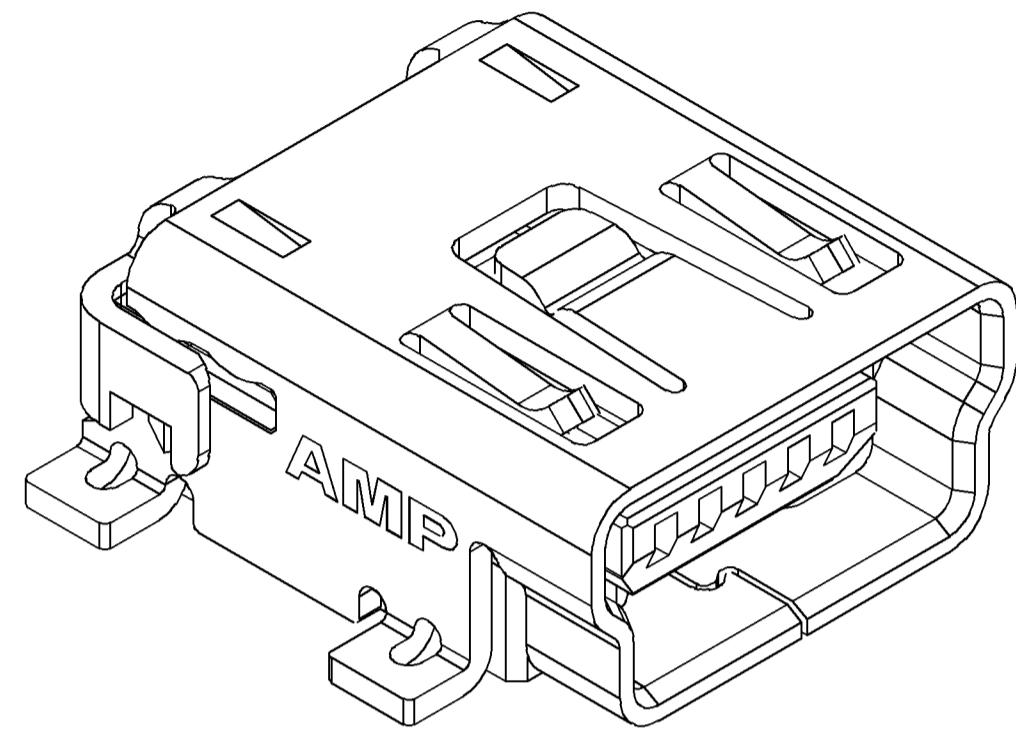


THIS DRAWING IS UNPUBLISHED. RELEASED FOR PUBLICATION
 © COPYRIGHT BY TYCO ELECTRONICS CORPORATION. ALL RIGHTS RESERVED.

LOC		DIST		REVISIONS			DATE	DWN	APVD
DW		-		P	LTR	DESCRIPTION			
					A	ECR-07-030532, ADD NEW DASH P/NS	21DEC07	OH	WK



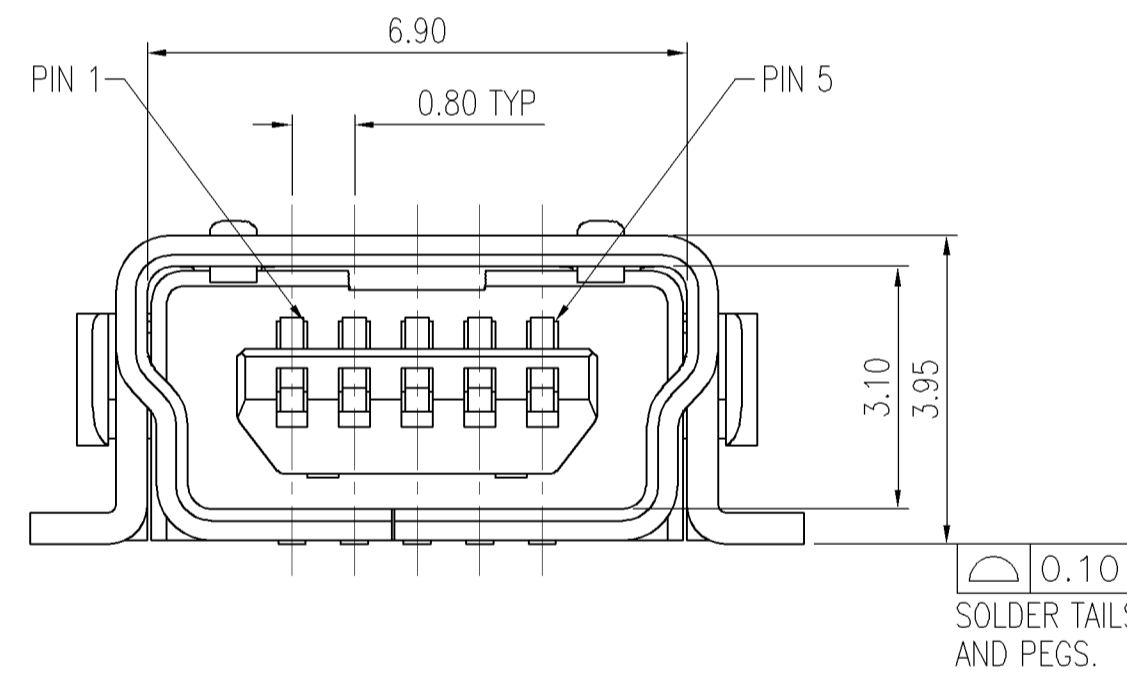
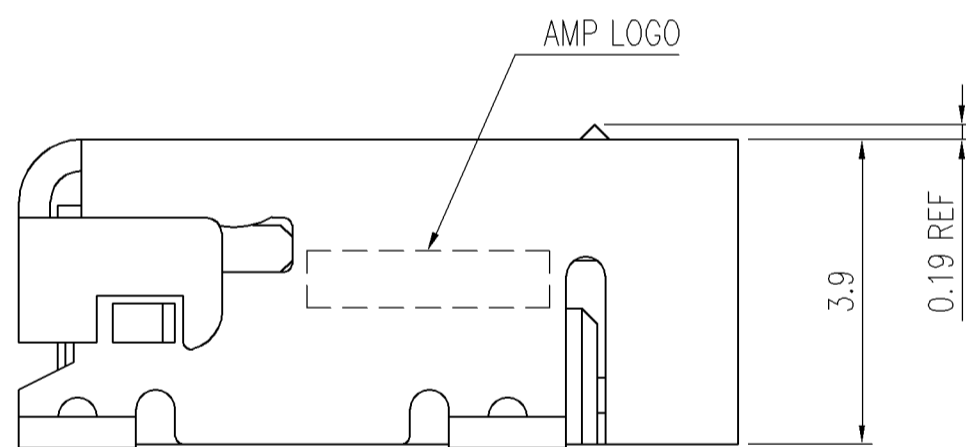
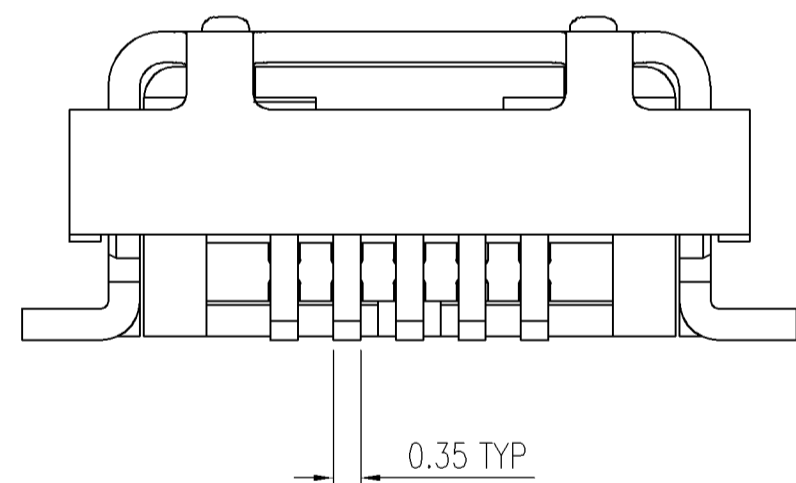
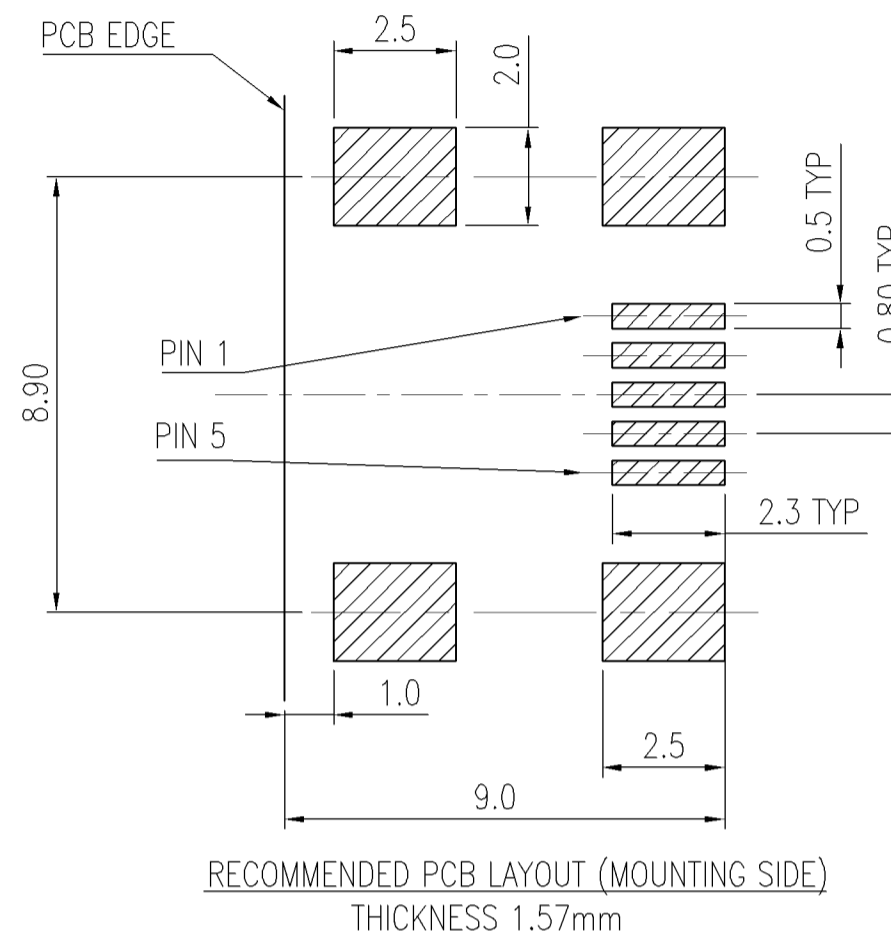
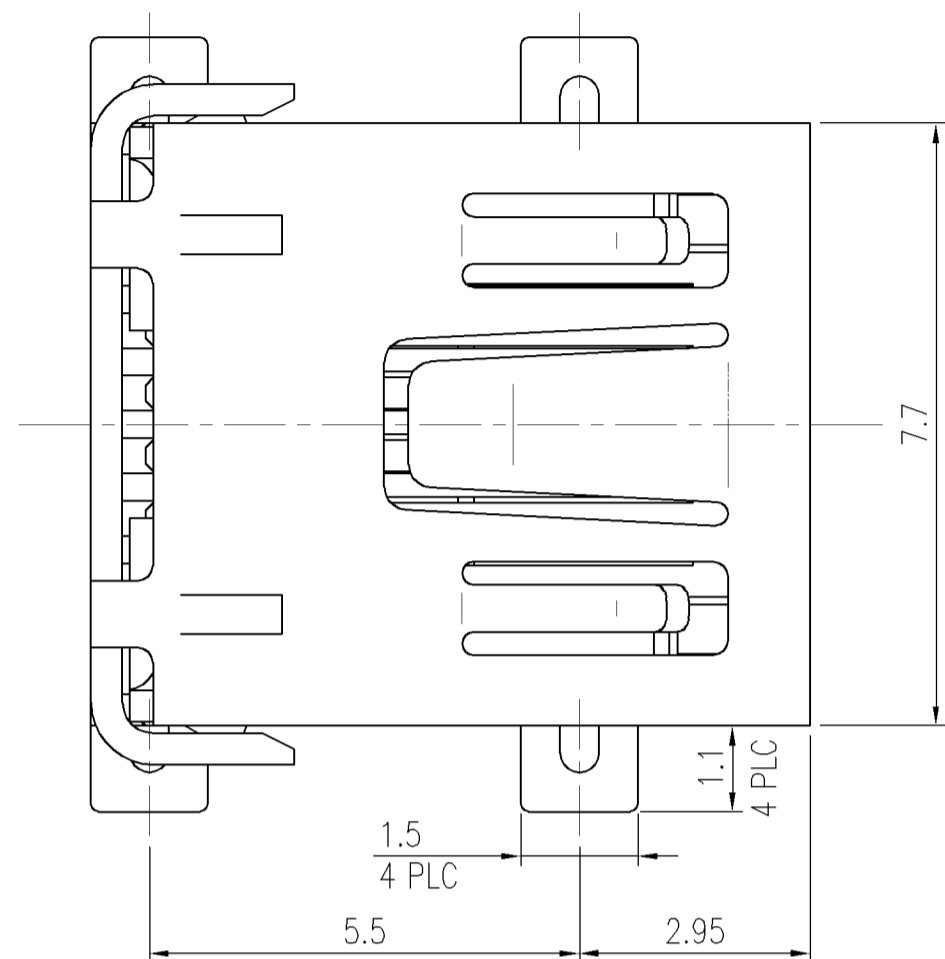
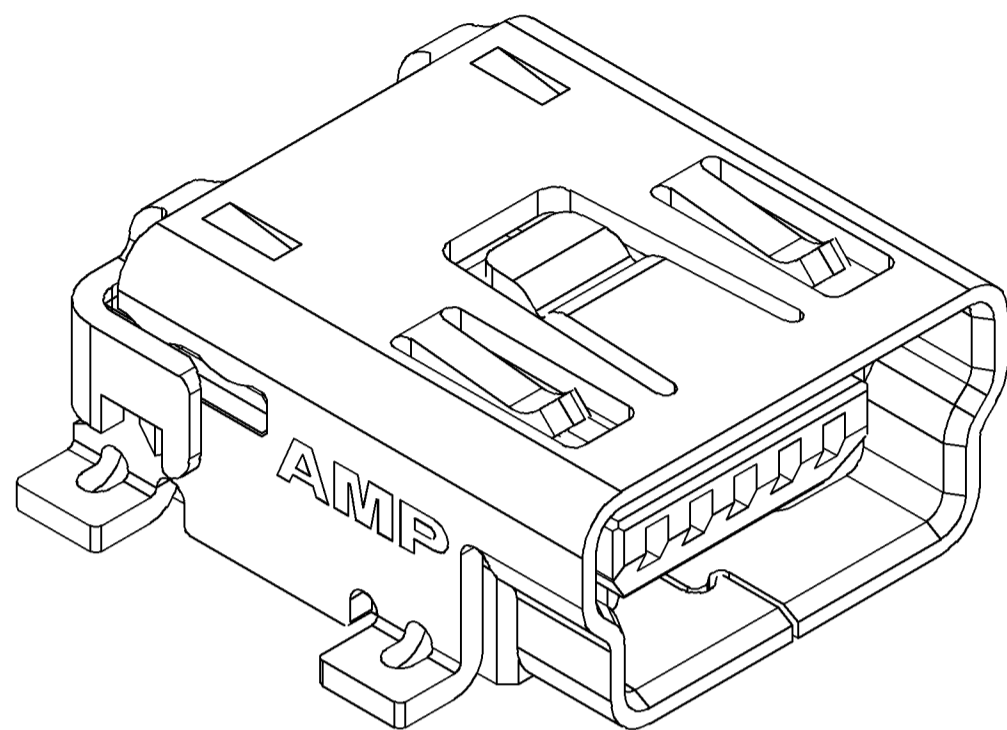
- NOTE:
- MATERIAL:
HOUSING: PA6T WITH 30% GF, UL 94V-0, BLACK COLOR.
CONTACTS: PHOSPHOR BRONZE.
SHELL: PHOSPHOR BRONZE.
 - FINISH:
CONTACTS: 0.762µm [30µ"] MIN. GOLD PLATED ON CONTACT AREA,
2.54µm [100µ"] MIN. TIN-Cu ON SOLDER TAIL,
2.54µm [100µ"] MIN. MATTE-TIN ON SOLDER TAIL,
WITH ENTIRE CONTACT UNDERPLATED 1.27µm [50µ"] MIN. NICKEL.
SHELL: 2.03µm [80µ"] MIN. NICKEL PLATED OVERALL.
 - NO DATECODE ON PRODUCT SURFACE.
 - REFLOW SOLDER CAPABLE TO 245°C PER TE TEST SPEC. 109-201, CONDITION A.

A	W/O	W/O	TAPE REEL	W/	2-1734035-4
	W/O	W/	TAPE REEL	W/	2-1734035-3
A	W/O	W/O	TAPE REEL	W/	2-1734035-2
	W/O	N/A	TRAY	W/	2-1734035-1
A	W/	W/O	TAPE REEL	W/	1734035-4
	W/O	W/	TAPE REEL	W/	1734035-3
A	W/O	W/O	TAPE REEL	W/	1734035-2
	W/O	N/A	TRAY	W/	1734035-1
PLATED	MYLAR	LONG CARRIER & COVER TAPE	PACKAGE	POST	PART NUMBER

THIS DRAWING IS A CONTROLLED DOCUMENT.		DWN	O. HU	21DEC2007	Tyco Electronics Corporation Taipei, Taiwan	
		CHK	S. HOU	21DEC2007		
		APVD	W. KODAMA	21DEC2007	NAME	
DIMENSIONS: MM		TOLERANCES UNLESS OTHERWISE SPECIFIED:			PRODUCT SPEC	
		0 PLC ± 0.38 1 PLC ± 0.25 2 PLC ± 0.13 3 PLC ± 0.05 4 PLC ± - ANGLES ± 3°			108-57062	
MATERIAL		FINISH			QUALIFICATION TEST REPORT	
SEE NOTE		SEE NOTE			501-57070	
		CUSTOMER DRAWING			SIZE	A3
					CAGE CODE	00779
					DRAWING NO	C=1734035
					RESTRICTED TO	-
					SCALE	-
					SHEET	1 OF 4
					REV	A

THIS DRAWING IS UNPUBLISHED. RELEASED FOR PUBLICATION
 © COPYRIGHT BY TYCO ELECTRONICS CORPORATION. ALL RIGHTS RESERVED.

LOC	DIST	REVISIONS			
P	LTR	DESCRIPTION	DATE	DWN	APVD
		SEE SHEET 1.			



NOTE:

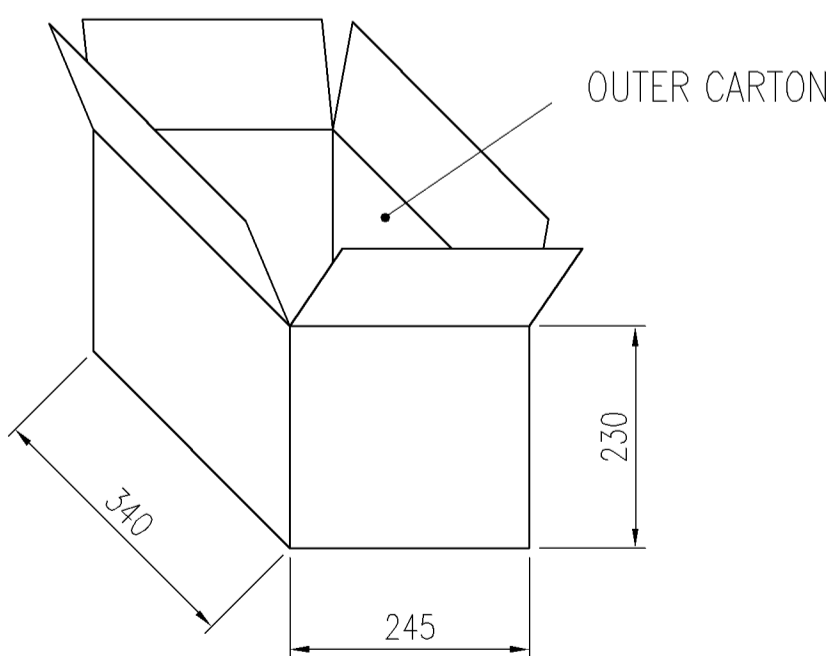
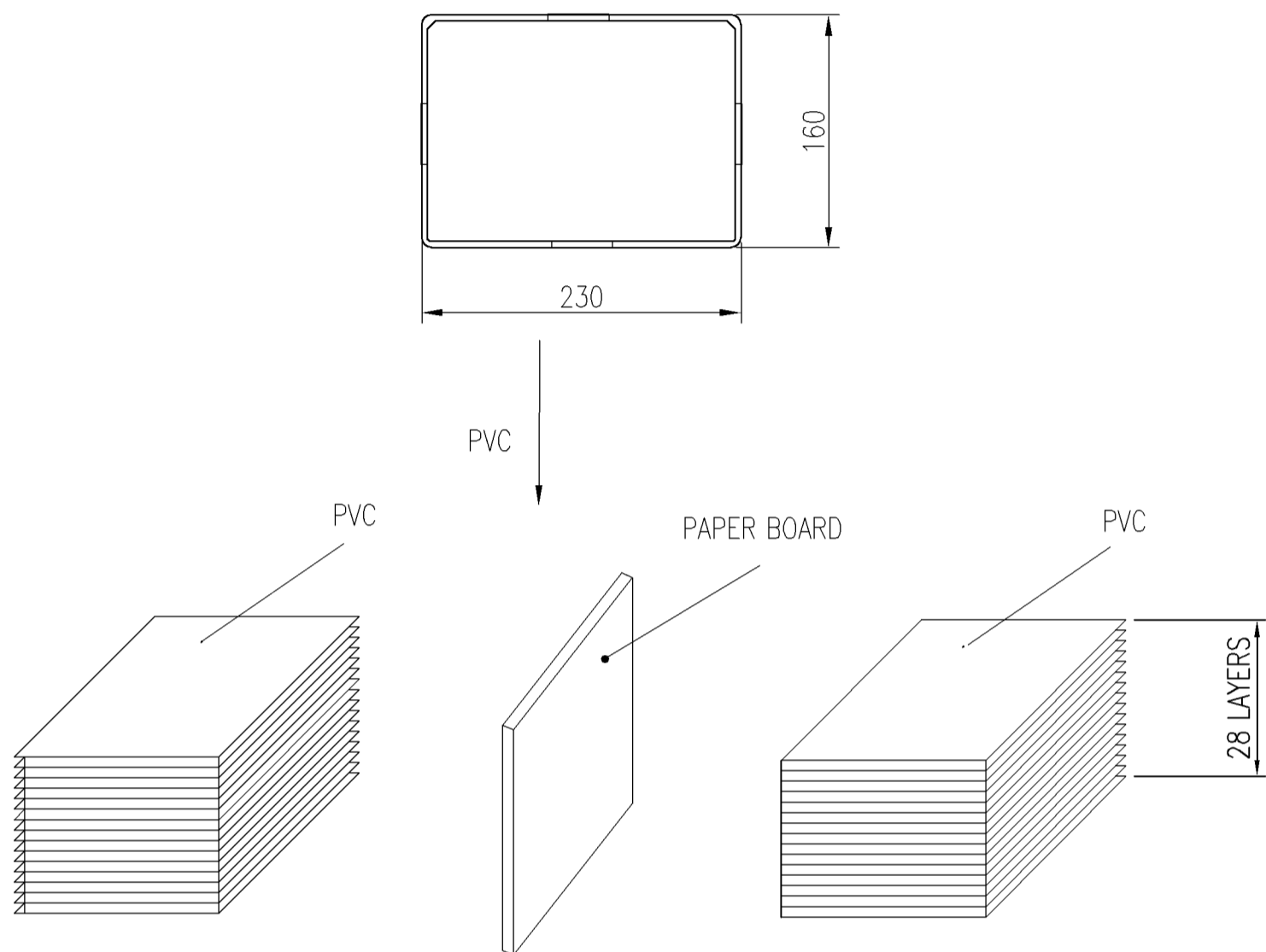
- MATERIAL:
HOUSING: PA6T WITH 30% GF, UL 94V-0, BLACK COLOR.
CONTACTS: PHOSPHOR BRONZE.
SHELL: PHOSPHOR BRONZE.
- FINISH:
CONTACTS: 0.762µm [30µ"] MIN. GOLD PLATED ON CONTACT AREA,
2.54µm [100µ"] MIN. TIN-Cu ON SOLDER TAIL, WITH
ENTIRE CONTACT UNDERPLATED 1.27µm [50µ"] MIN. NICKEL.
SHELL: 2.03µm [80µ"] MIN. NICKEL PLATED OVERALL.
- NO DATECODE ON PRODUCT SURFACE.
- REFLOW SOLDER CAPABLE TO 245°C PER TE TEST SPEC.
109-201, CONDITION A.

W/O	W/	TAPE REEL	W/O	1-1734035-3
	W/O	TAPE REEL	W/O	1-1734035-2
	N/A	TRAY	W/O	1-1734035-1
MYLAR	LONG CARRIER & COVER TAPE	PACKAGE	POST	PART NUMBER

THIS DRAWING IS A CONTROLLED DOCUMENT.		DWN O. HU	Tyco Electronics Corporation Taipei, Taiwan														
DIMENSIONS: MM		CHK S. HOU															
TOLERANCES UNLESS OTHERWISE SPECIFIED:		APVD W. KODAMA	NAME														
<table border="1"> <tr><td>0 PLC</td><td>± 0.38</td></tr> <tr><td>1 PLC</td><td>± 0.25</td></tr> <tr><td>2 PLC</td><td>± 0.13</td></tr> <tr><td>3 PLC</td><td>± 0.05</td></tr> <tr><td>4 PLC</td><td>± -</td></tr> <tr><td>ANGLES</td><td>± 3°</td></tr> </table>		0 PLC	± 0.38	1 PLC	± 0.25	2 PLC	± 0.13	3 PLC	± 0.05	4 PLC	± -	ANGLES	± 3°	PRODUCT SPEC	MINI USB, R/A, SMT, B TYPE		
0 PLC	± 0.38																
1 PLC	± 0.25																
2 PLC	± 0.13																
3 PLC	± 0.05																
4 PLC	± -																
ANGLES	± 3°																
MATERIAL		FINISH	SIZE	CAGE CODE	DRAWING NO												
			A3	00779	C=1734035												
CUSTOMER DRAWING			RESTRICTED TO	SCALE	SHEET												
			-	-	2 OF 4												
					REV A												

THIS DRAWING IS UNPUBLISHED. RELEASED FOR PUBLICATION
 © COPYRIGHT BY TYCO ELECTRONICS CORPORATION. ALL RIGHTS RESERVED.

LOC	DIST	REVISIONS			
P	LTR	DESCRIPTION	DATE	DWN	APVD
		SEE SHEET 1.			

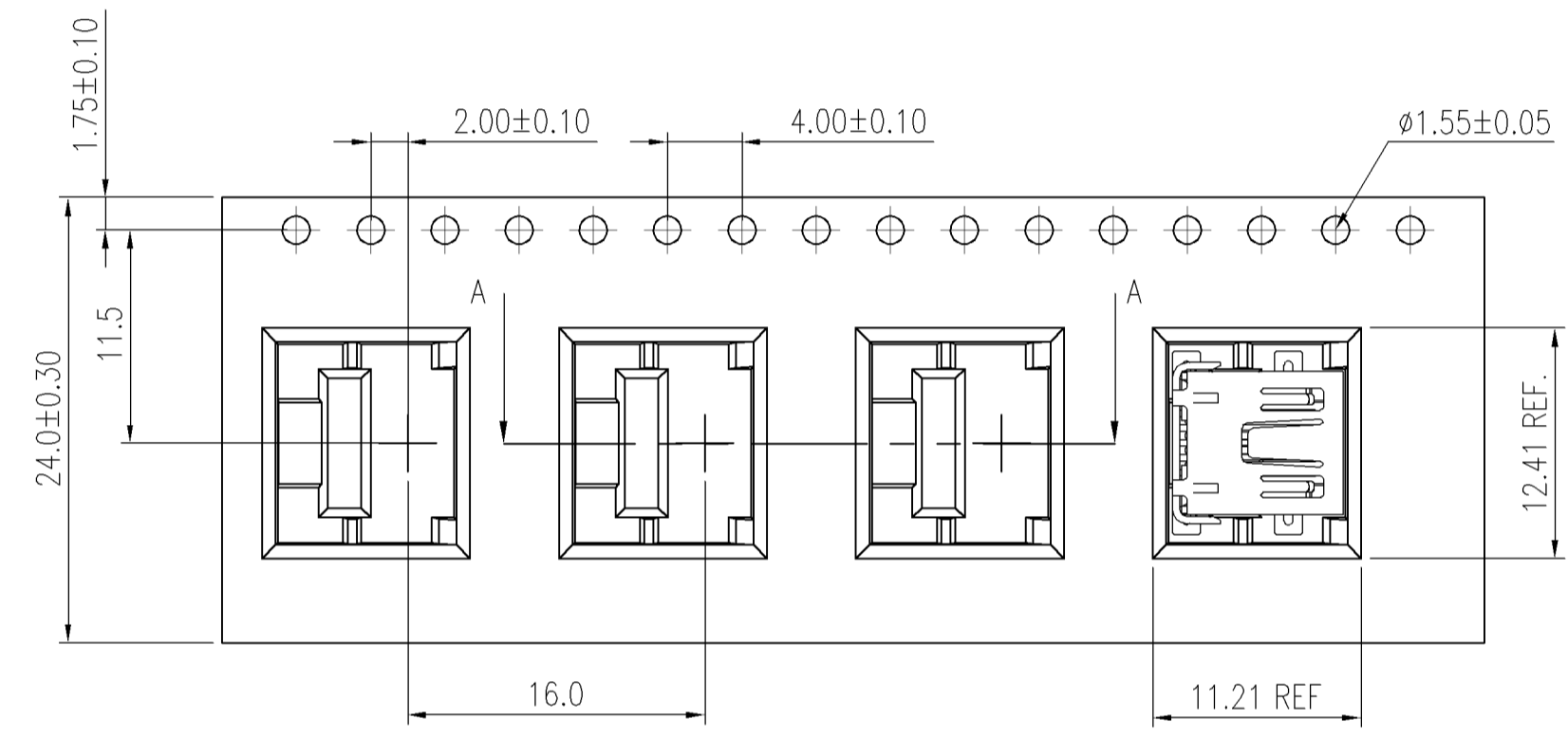
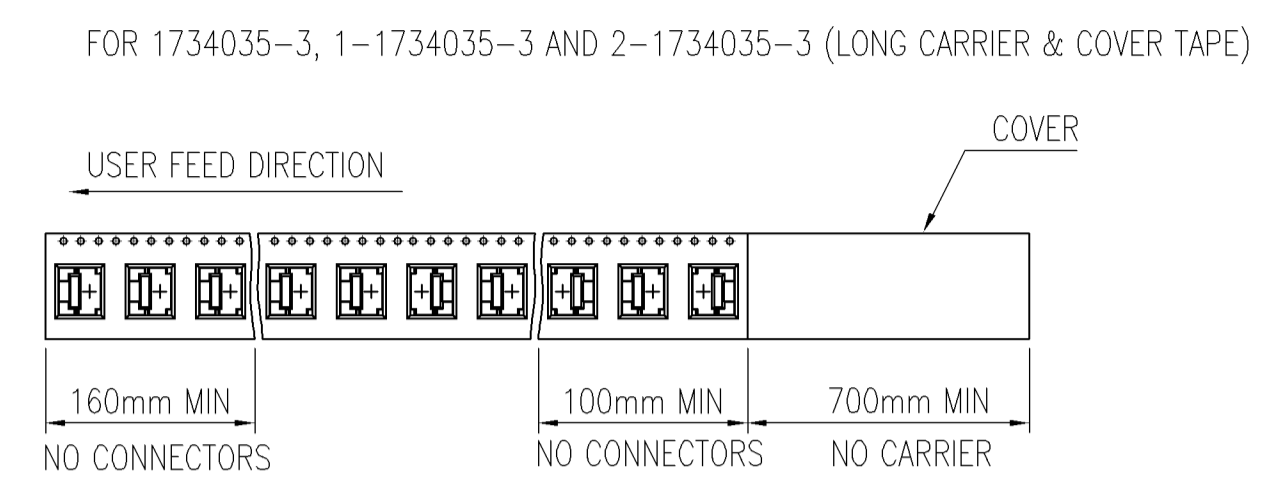
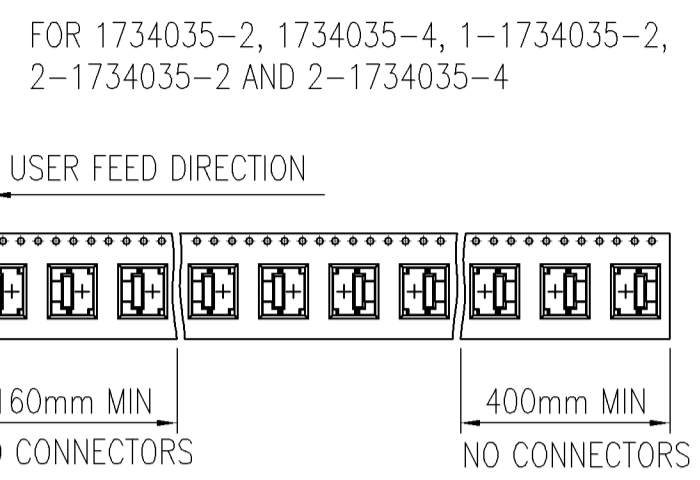
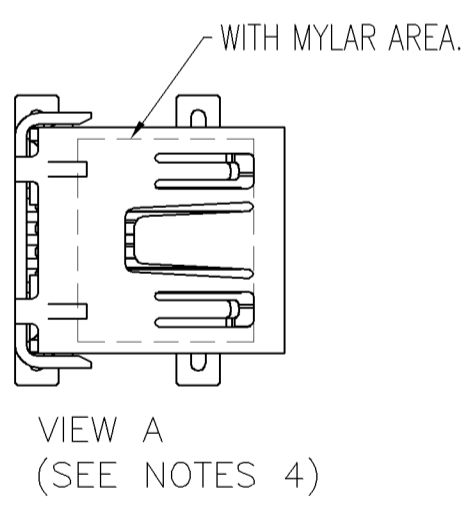
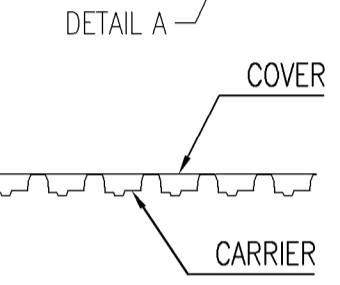
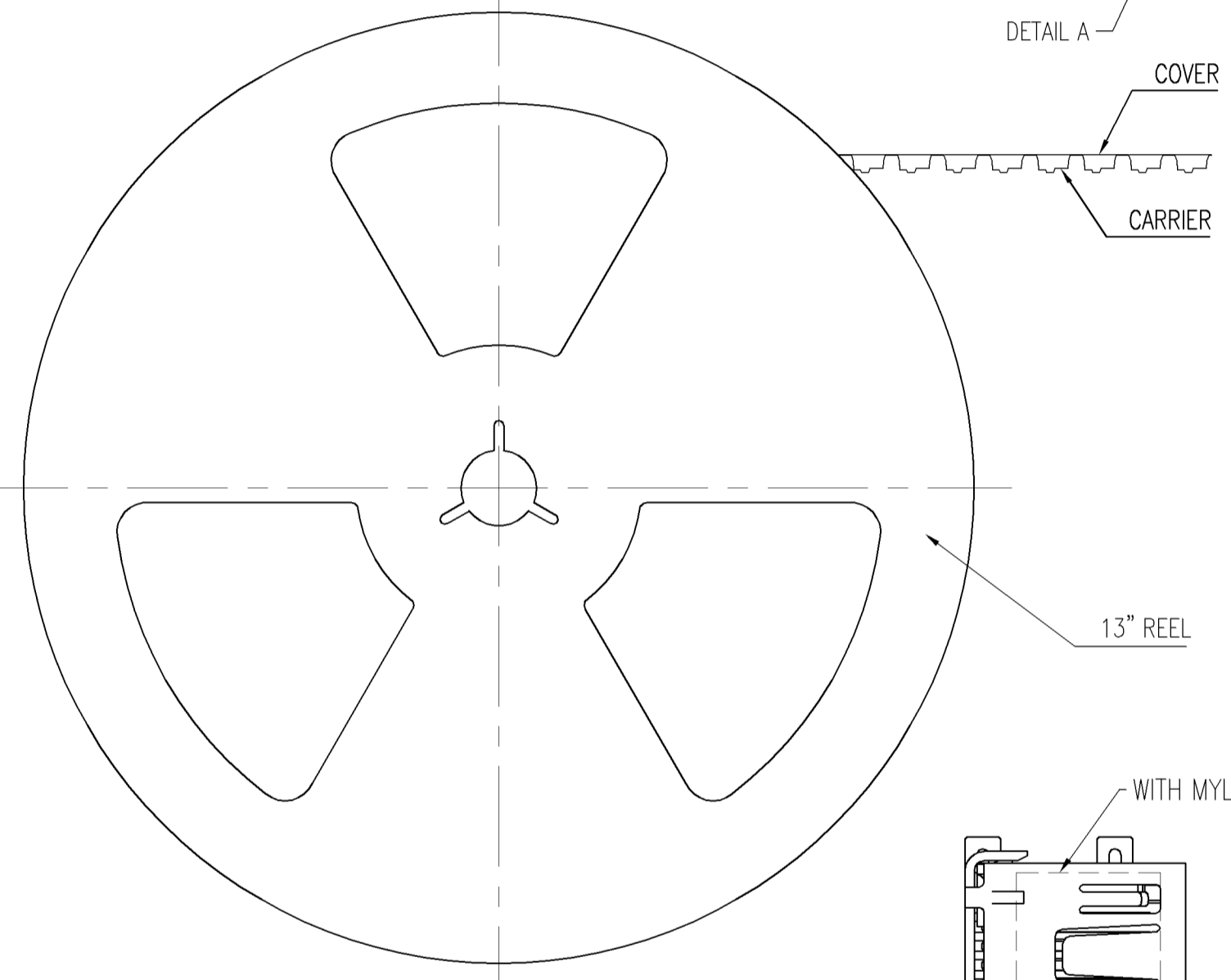
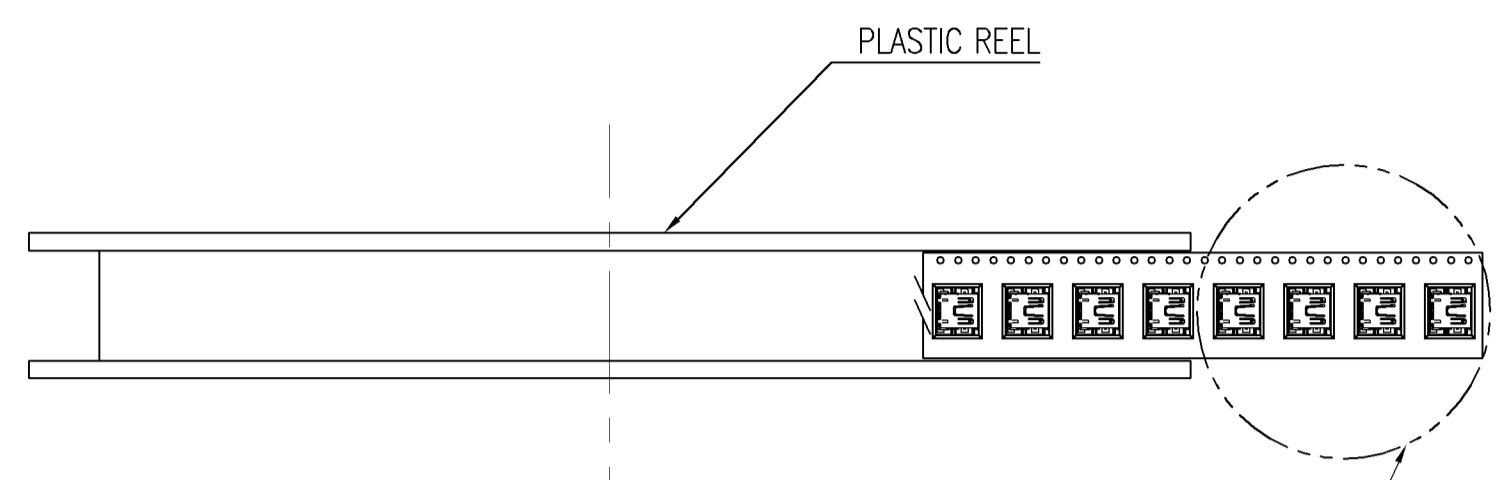


9.2 Kg	6.7 Kg	150	56	8400 PCS	2-1734035-1
					1-1734035-1
					1734035-1
GROSS WEIGHT	NET WEIGHT	PCS/TRAY	TRAYS /CARTON	QUANTITY	PART NUMBER

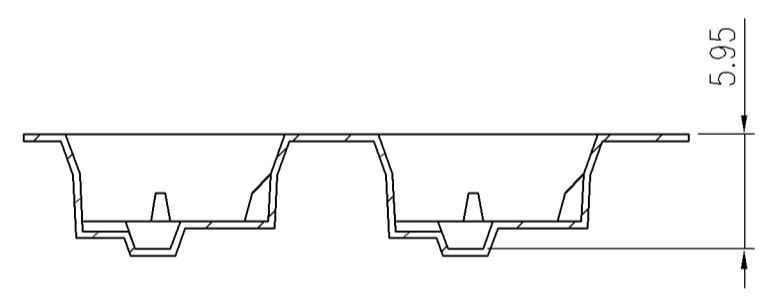
THIS DRAWING IS A CONTROLLED DOCUMENT.		DWN O. HU	Tyco Electronics Corporation Taipei, Taiwan			
DIMENSIONS: MM		CHK S. HOU				
TOLERANCES UNLESS OTHERWISE SPECIFIED:		APVD W. KODAMA	NAME			
0 PLC ± - 1 PLC ± - 2 PLC ± - 3 PLC ± - 4 PLC ± - ANGLES ± -		PRODUCT SPEC	MINI USB, R/A, SMT, B TYPE			
MATERIAL		APPLICATION SPEC	SIZE	CAGE CODE	DRAWING NO	RESTRICTED TO
FINISH		WEIGHT	A3	00779	C=1734035	-
CUSTOMER DRAWING			SCALE	SHEET	REV	
			-	3 OF 4	A	

THIS DRAWING IS UNPUBLISHED. RELEASED FOR PUBLICATION
 © COPYRIGHT BY TYCO ELECTRONICS CORPORATION. ALL RIGHTS RESERVED.

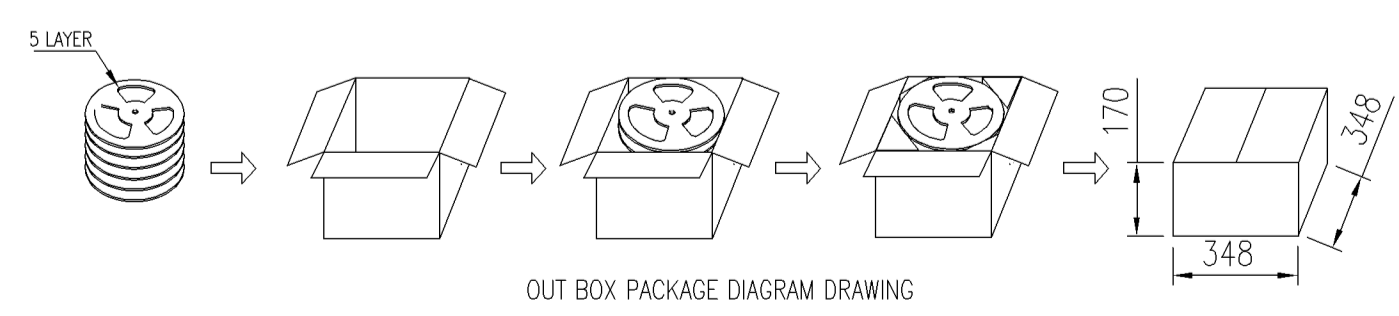
LOC	DIST	REVISIONS					
DW	—	P	LTR	DESCRIPTION	DATE	DWN	APVD
				SEE SHEET 1.			



DETAIL A (SCALE 2 : 1)



6.5 Kg	5.5 Kg	W/	W/O	2-1734035-4
		W/O	W/	2-1734035-3
		W/O	W/O	2-1734035-2
		W/O	W/	1-1734035-3
		W/O	W/O	1-1734035-2
		W/	W/O	1734035-4
		W/O	W/	1734035-3
		W/O	W/O	1734035-2
GROSS WEIGHT	NET WEIGHT	MYLAR	LONG CARRIER & COVER TAPE	PART NUMBER



THIS DRAWING IS A CONTROLLED DOCUMENT.

DWN O. HU
 CHK S. HOU
 APVD W. KODAMA
 PRODUCT SPEC
 APPLICATION SPEC
 WEIGHT —

Tyco Electronics
 Tyco Electronics Corporation
 Taipei, Taiwan

NAME
 MINI USB, R/A, SMT, B TYPE

SIZE A3 CAGE CODE 00779 DRAWING NO. C-1734035 RESTRICTED TO —

CUSTOMER DRAWING SCALE — SHEET 4 OF 4 REV A